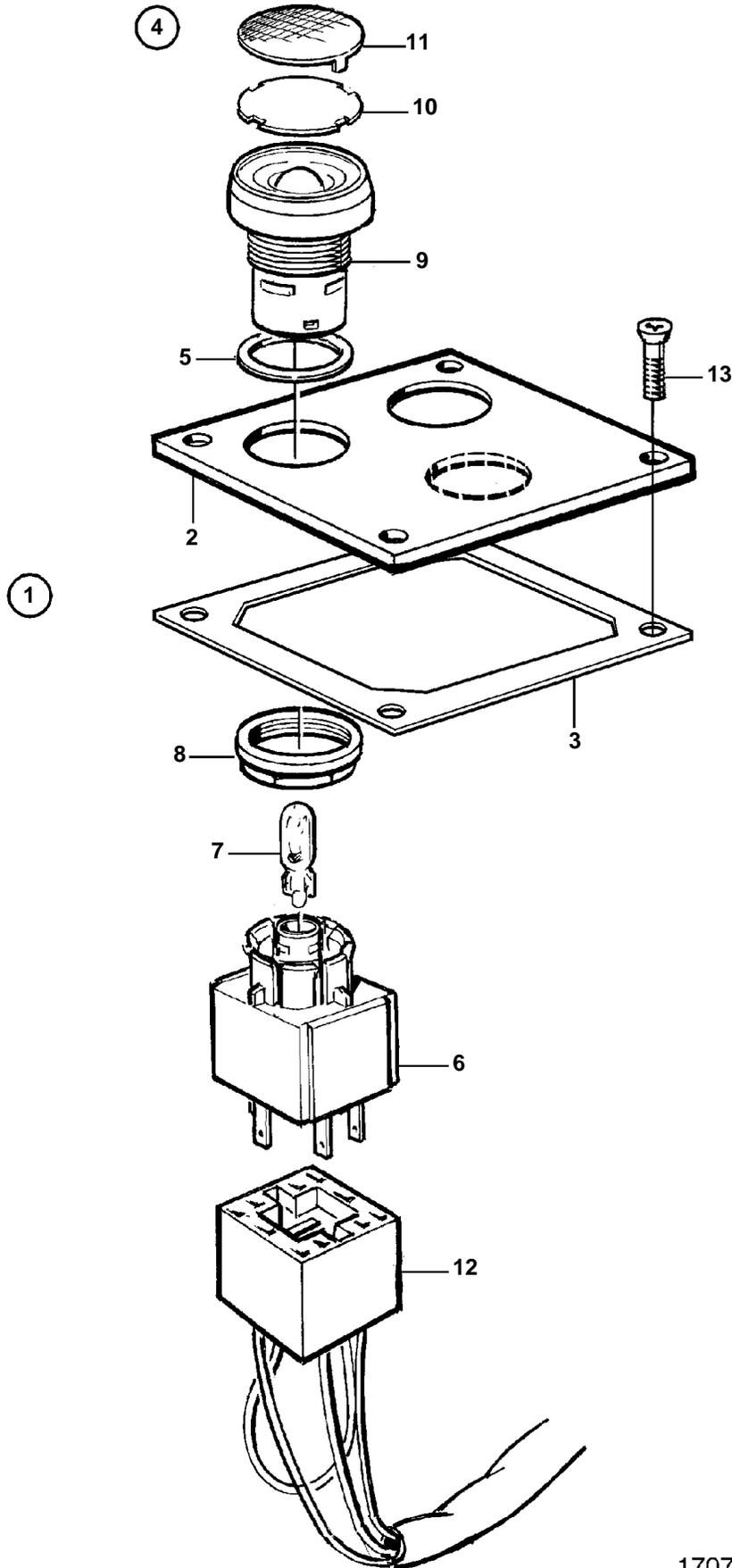


COMMON



17079

COMMON

REF	PART NO.	QTY	DESCRIPTION	NOTES
1		1	Control panel	3 HOLE. For two or more stations.
2	873650	1	• Plate	
3	873643	1	• Gasket	
4	876950	3	• Push button	12V, 1,2W
5		3	• • Gasket	
6		3	• • Connector unit	
7	942327	3	• • Bulb	GREEN
	966327	3	• • Lamp	YELLOW
8		3	• • Attaching ring	RED
9		3	• • Button	
10		18	• • Symbol strip	
11		3	• • Cover plate	GREEN
		3	• • Cover plate	YELLOW
		3	• • Cover plate	RED
		3	• • Cover plate	BLUE
12	873629	1	• Cable harness	
13	828647	4	• Screw	